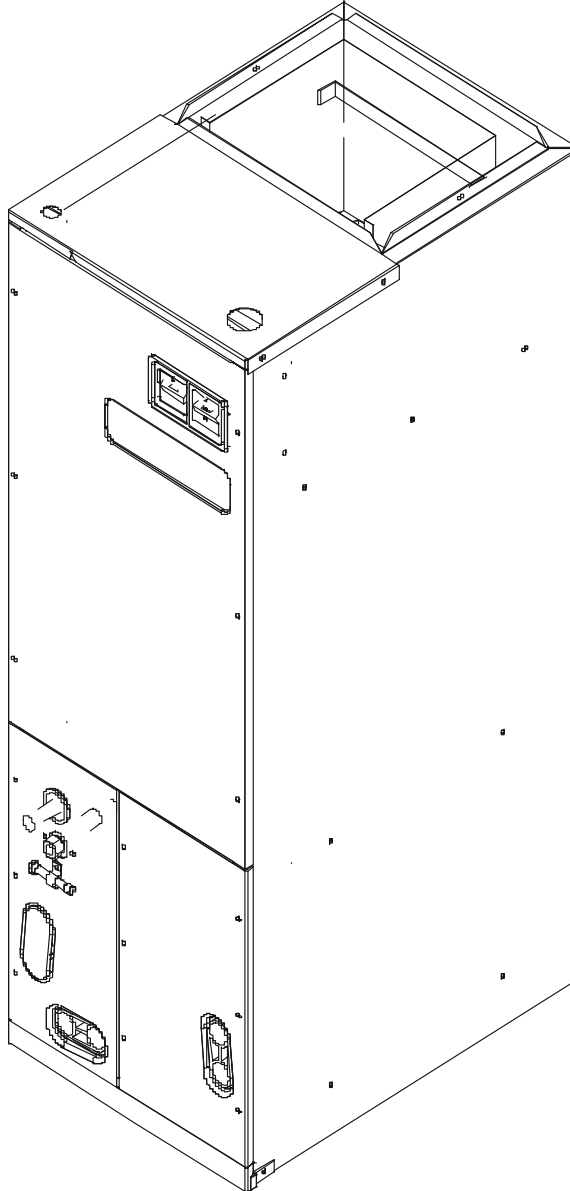


REPAIR PARTS

ARUF Air Handlers

ARUF172916AA
ARUF172916BA
ARUF182416AA
ARUF182416BA
ARUF193116AA
ARUF193116BA
ARUF303016AA
ARUF303016BA
ARUF363616AA
ARUF363616BA
ARUF364216AA
ARUF364216AB
ARUF364216AC
ARUF364216BA
ARUF374316AA
ARUF374316BA
ARUF486016AA
ARUF486016AB
ARUF486016BA
ARUF496116AA



This manual is to be used by qualified technicians only.

This manual replaces RP-384F.

© 2006 - 2008, 2010, 2016 Goodman Manufacturing Company, L.P. ♦ 5151 San Felipe St., Suite 500 ♦ Houston, TX 77056

Important Information

Index

Functional Parts List	3
Illustration and Parts	4 - 9

Views shown are for parts illustrations only, not servicing procedures

Text Codes:

AR - As Required

NA - Not Available

NS - Not Shown

00000000 - See Note

QTY - Quantity Example (QTY 3) (If Quantity not shown, Quantity = 1)

M - Model Example (M1) (If M Code not shown, then part is used on all Models)

Expanded Model Nomenclature:

Example M1 - Model#1 M2 - Model#2 M3 - Model#3

Goodman Manufacturing Company, L.P. is not responsible for personal injury or property damage resulting from improper service. Review all service information before beginning repairs.

Warranty service must be performed by an authorized technician, using authorized factory parts. If service is required after the warranty expires, Goodman Manufacturing Company, L.P. also recommends contacting an authorized technician and using authorized factory parts.

Goodman Manufacturing Company, L.P. reserves the right to discontinue, or change at any time, specifications or designs without notice or without incurring obligations.

For assistance within the U.S.A. contact:
Homeowner Support
Goodman Manufacturing Company, L.P.
19001 Kermier Road
Waller, Texas 77484
877-254-4729-Telephone
713-863-2382-Facsimile

For assistance outside the U.S.A. contact:
International Division
Goodman Manufacturing Company, L.P.
19001 Kermier Road
Waller, Texas 77484
713-861-2500-Telephone
713-863-2382-Facsimile

Functional Parts

Part

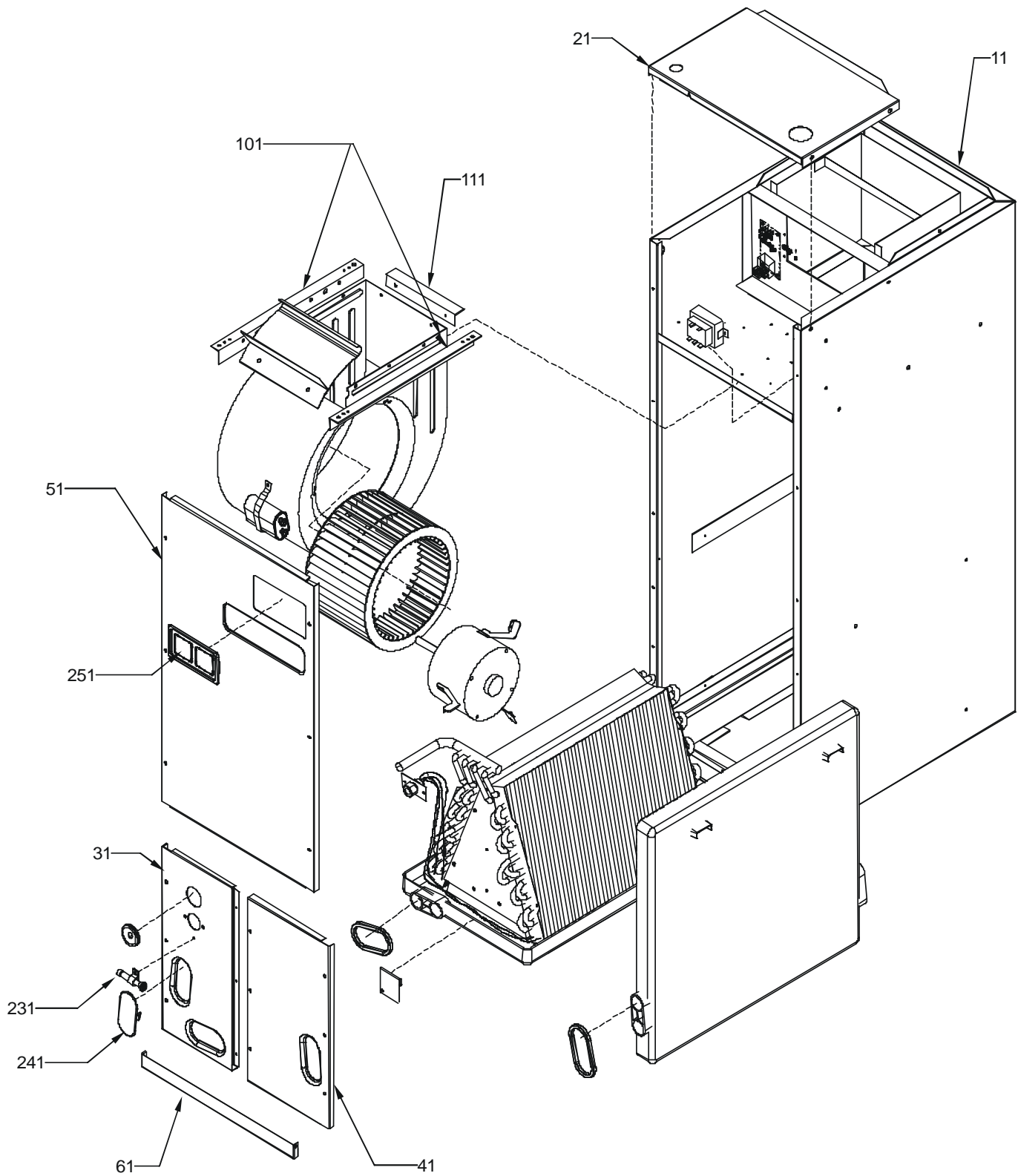
No: Description:

11091204	BLOWER MOTOR 1/2 HP, 3 SP, 8 PL (M11, M12, M13, M14, M15, M16)
11091203	BLOWER MOTOR 1/3 HP, 3 SP, 6 PL (M7, M8, M9, M10)
0131M00005P	BLOWER MOTOR 1/3 HP, 3 SP, 6 PL (M1, M2, M3, M4)
11091207	BLOWER MOTOR 1/4 HP, 3 SP, 8 PL (M5, M6)
0131M00000P	BLOWER MOTOR 3/4 HP, 3 SP, 6 PL (M17, M18, M19, M20)
D6723311	BLOWER WHEEL (M15, M16)
B1368016	BLOWER WHEEL 10 X 8 (M11, M12, M13, M14)
0150M00000P	BLOWER WHEEL 9 X 6 (M1, M2, M3, M4)
B1368042	BLOWER WHEEL 9 X 6 (M5, M6)
0150G00000P	BLOWER WHEEL 9 X 8 (M7, M8, M9, M10)
CAP100000370LA	CAPACITOR 10/370V (M1, M2, M3, M4, M5, M6, M7, M8, M9, M10)
CAP150000370LA	CAPACITOR 15/370V (M11, M12, M13, M14, M15, M16, M17, M18, M19, M20)
PCBFM103	ELECTRONIC BLOWER TIME DELAY
B1796630	INLET TUBE FLOWRATOR
0130M00138	TRANSFORMER 208/230, 24V
0150M00037	WHEEL, BLOWER 10 X 10 (M17, M18, M19, M20)

Expanded Model Nomenclature

- | |
|--------------------|
| M1 - ARUF172916AA |
| M2 - ARUF172916BA |
| M3 - ARUF182416AA |
| M4 - ARUF182416BA |
| M5 - ARUF193116AA |
| M6 - ARUF193116BA |
| M7 - ARUF303016AA |
| M8 - ARUF303016BA |
| M9 - ARUF363616AA |
| M10 - ARUF363616BA |
| M11 - ARUF364216AA |
| M12 - ARUF364216AB |
| M13 - ARUF364216AC |
| M14 - ARUF364216BA |
| M15 - ARUF374316AA |
| M16 - ARUF374316BA |
| M17 - ARUF486016AA |
| M18 - ARUF486016AB |
| M19 - ARUF486016BA |
| M20 - ARUF496116AA |

Cabinet



Cabinet

Ref. Part No:	No:	Description:	Ref. Part No:	No:	Description:
<i>Image 1:</i>			Expanded Model Nomenclature		
11	1721123	WRAPPER ASSY LRG (M11, M12, M13, M14, M15, M16, M17, M18, M19, M20)	M1 - ARUF172916AA		
11	1721121	WRAPPER SML (M1, M2, M3, M4)	M2 - ARUF172916BA		
11	0121A00494	WRAPPER, MEDIUM (AR) (M5, M6, M7, M8, M9, M10)	M3 - ARUF182416AA		
21	0121A00033PDG	UPPER TIE PLATE (M5, M6, M7, M8, M9, M10)	M4 - ARUF182416BA		
21	0121A00035PDG	UPPER TIE PLATE (M11, M12, M13, M14, M15, M16, M17, M18, M19, M20)	M5 - ARUF193116AA		
21	1721931PDG	UPPER TIE PLATE (M1, M2, M3, M4)	M6 - ARUF193116BA		
31	1722077PDG	LOWER ACCESS PANEL (M1, M2, M3, M4, M5, M6, M7, M8, M9, M10)	M7 - ARUF303016AA		
31	1722078PDG	LOWER ACCESS PANEL (M11, M12, M13, M14, M15, M16, M17, M18, M19, M20)	M8 - ARUF303016BA		
41	1722079PDG	LOWER SERVICE PANEL (M1, M2, M3, M4)	M9 - ARUF363616AA		
41	1722080PDG	LOWER SERVICE PANEL (M5, M6, M7, M8, M9, M10)	M10 - ARUF363616BA		
41	1722081PDG	LOWER SERVICE PANEL (M11, M12, M13, M14, M15, M16, M17, M18, M19, M20)	M11 - ARUF364216AA		
51	1722082PDG	UPPER ACCESS PANEL (M1, M2, M3, M4)	M12 - ARUF364216AB		
51	1722083PDG	UPPER ACCESS PANEL (M5, M6, M7, M8, M9, M10)	M13 - ARUF364216AC		
51	1722084PDG	UPPER ACCESS PANEL (M11, M12, M13, M14, M15, M16, M17, M18, M19, M20)	M14 - ARUF364216BA		
61	1722085PDG	FILTER COVER (M1, M2, M3, M4)	M15 - ARUF374316AA		
61	1722087PDG	FILTER COVER LRG (M11, M12, M13, M14, M15, M16, M17, M18, M19, M20)	M16 - ARUF374316BA		
61	1722086PDG	FILTER COVER MED (M5, M6, M7, M8, M9, M10)	M17 - ARUF486016AA		
101	0121A00016	BLOWER MOUNTING ANGLE (M5, M6, M11, M12)	M18 - ARUF486016AB		
101	0121A00027	BLOWER MOUNTING ANGLE (M1, M2, M3, M4, M7, M8, M9, M10, M15, M16, M17)	M19 - ARUF486016BA		
111	0121A00495	BLOWER MOUNTING ANGLE (M1, M2, M3, M4, M5, M6, M7, M8, M9, M10, M11, M15, M16, M17)	M20 - ARUF496116AA		
231	B1796630	INLET TUBE FLOWRATOR			
241	B1392640	PLASTIC DRAIN COVER			
251	0161A00034	PLASTIC BREAKER INSERT			
NS	1721918	BOTTOM TIE LRG (M11, M12, M13, M14, M15, M16, M17, M18, M19, M20)			
NS	1721917	BOTTOM TIE MED (M5, M6, M7, M8, M9, M10)			
NS	1721916	BOTTOM TIE PLATE SML (M1, M2, M3, M4)			

Internal Components

Ref. Part No:	Description:	Ref. Part No:	Description:
<i>Image 1:</i>		Expanded Model Nomenclature	
141	0130M00138 TRANSFORMER 208/230, 24V	M1	- ARUF172916AA
151	PCBFM103 ELECTRONIC BLOWER TIME DELAY	M2	- ARUF172916BA
171	0259A00001P WIRE ASSY, 9-PIN FEMALE CONNECTOR (M1, M2, M3, M4)	M3	- ARUF182416AA
171	0259A00005P WIRE ASSY, 9-PIN FEMALE CONNECTOR (M5, M6, M7, M8, M9, M10, M11, M12, M13, M14, M15, M16, M17, M18, M19, M20)	M4	- ARUF182416BA
181	0259A00002P WIRE ASSY, 9-PIN MALE CONNECTOR	M5	- ARUF193116AA
201	0154A00000BL DRAIN PAN GASKET (QTY 2)	M6	- ARUF193116BA
211	B1756021L PLASTIC DRAIN PAN (HORIZONTAL) (M1, M2, M3, M4)	M7	- ARUF303016AA
211	B1756022L PLASTIC DRAIN PAN (HORIZONTAL) (M5, M6, M7, M8, M9, M10)	M8	- ARUF303016BA
211	B1756028L PLASTIC DRAIN PAN (HORIZONTAL) (M11, M12, M13, M14, M15, M16, M17, M18, M19, M20)	M9	- ARUF363616AA
221	B1756017LA DRAIN PAN MED (M5, M6, M9, M10)	M10	- ARUF363616BA
221	B1756013L PLASTIC DRAIN PAN (VERTICAL) (M1, M2, M3, M4)	M11	- ARUF364216AA
221	B1756017L PLASTIC DRAIN PAN (VERTICAL) (M7, M8)	M12	- ARUF364216AB
221	B1756020L PLASTIC DRAIN PAN (VERTICAL) (M11, M12, M13, M14, M15, M16, M17, M18, M19, M20)	M13	- ARUF364216AC
221	B1756020L PLASTIC DRAIN PAN (VERTICAL) (M11, M12, M13, M14, M15, M16, M17, M18, M19, M20)	M14	- ARUF364216BA
241	0270A00149 ASSY, COIL TUBING (M16, M20)	M15	- ARUF374316AA
241	0270A00151 ASSY, COIL TUBING (M14)	M16	- ARUF374316BA
241	0270A00159 ASSY, COIL TUBING (M6)	M17	- ARUF486016AA
241	0270A00160 ASSY, COIL TUBING (M10)	M18	- ARUF486016AB
241	1262401 COIL PAN ASSY (M2, M4)	M19	- ARUF486016BA
241	1262403 COIL PAN ASSY (M8)	M20	- ARUF496116AA
241	1262405 COIL PAN ASSY (M19)		
241	1264517 EVAP COIL ASSEMBLY (M7)		
241	1264531 EVAP. COIL ASM. (AR61-1) (M15, M17, M18)		
241	1264532 EVAP. COIL ASM., (AR32-1) (M3)		
241	1264505 EVAP. COIL ASSY. 14X16.75, 2R, (M1)		
241	1264509 EVAP.COIL ASSY. 22X19.75, 3R, (M11, M12, M13)		
241	0202A00024 TUBING ASSY, EVAP COIL (M5)		
241	0202A00030 TUBING ASSY, EVAP COIL (M9)		
251	B1796631 SEAL, TEFLON 20 IN A PACK		
261	B1796632 ASSY, TEFLON SEAL AND NUT		

Blower Components

Image 1

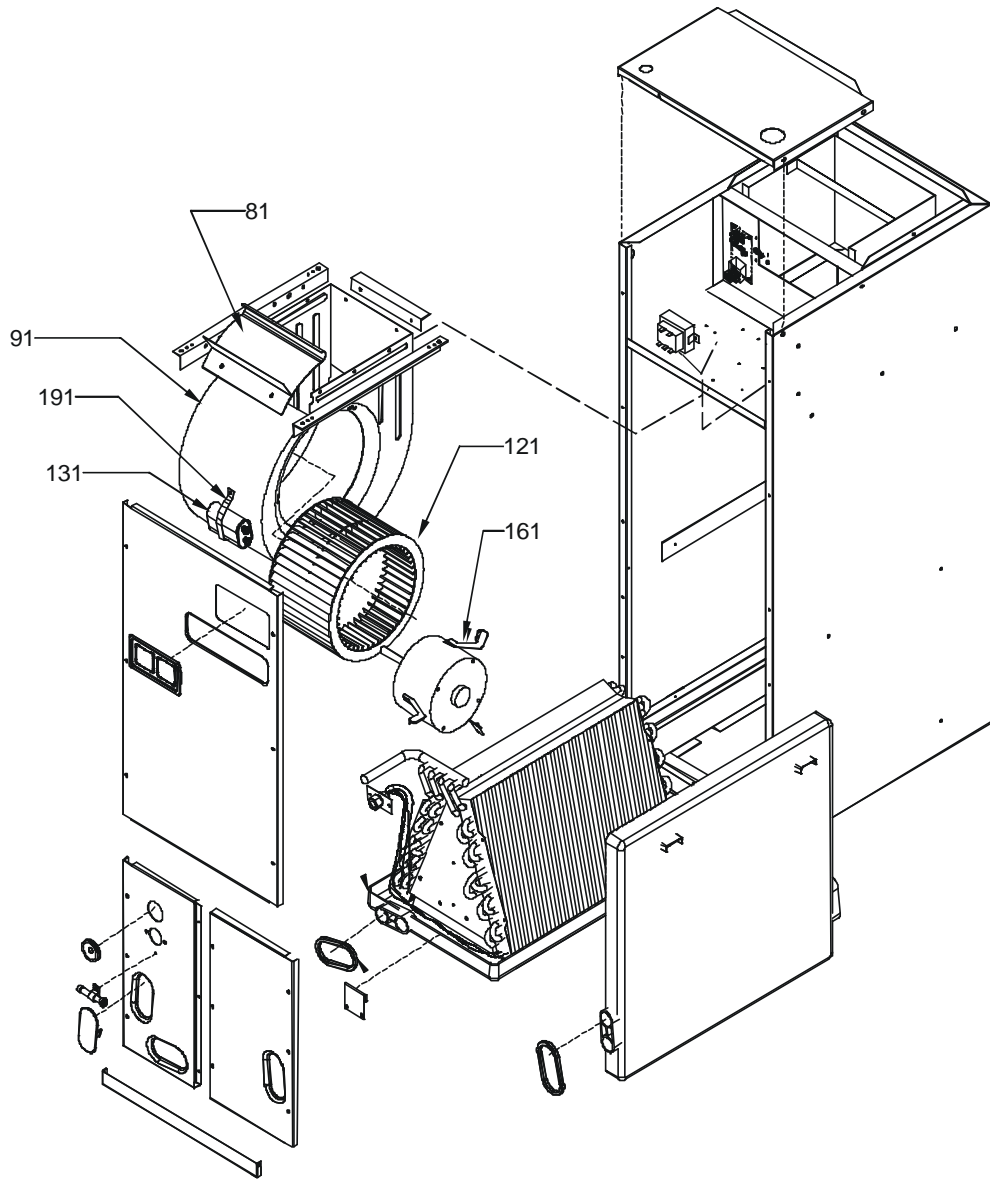
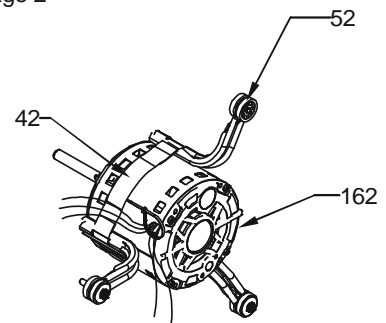


Image 2



Blower Components

Ref. Part No: No:	Description:	Ref. Part No: No:	Description:
Image 1:		Expanded Model Nomenclature	
81	764741	BLOWER BLOCK-OFF 10 X 10 (M18, M19, M20)	M1 - ARUF172916AA
81	764740	BLOWER BLOCK-OFF 10 X 8 (M12, M13, M14)	M2 - ARUF172916BA
81	0270A00101	BLOWER CUT-OFF (M15, M16)	M3 - ARUF182416AA
81	764734	BLOWER CUT-OFF (M7, M8, M9, M10)	M4 - ARUF182416BA
81	764736	BLOWER CUT-OFF 10 X 8 (M11)	M5 - ARUF193116AA
81	1824004	BLOWER CUT-OFF 11 & 10 X 10 (M17)	M6 - ARUF193116BA
81	764733	BLOWER CUT-OFF 9 X 6 (M1, M2, M3, M4, M5, M6)	M7 - ARUF303016AA
91	1439398	ASSY, BLOWER SHELL (M17)	M8 - ARUF303016BA
91	0271A00016	BLOWER HOUSING ASSY 10 X 10 (M18, M19, M20)	M9 - ARUF363616AA
91	0271A00029	BLOWER HOUSING ASSY 10 X 8 (M13, M14)	M10 - ARUF363616BA
91	0271A00022	BLOWER HOUSING ASSY 10X8 (M12)	M11 - ARUF364216AA
91	0271A00013	BLOWER HOUSING ASSY 11 X 10 (M15, M16)	M12 - ARUF364216AB
91	1439389	BLOWER HOUSING ASSY 9 X 6 (M1, M2, M3, M4, M5, M6)	M13 - ARUF364216AC
91	1839304	BLOWER HOUSING ASSY 9 X 8 (M7, M8, M9, M10)	M14 - ARUF364216BA
91	1439391	BLOWER HOUSING ASSY w/o CUT-OFF 764736 (M11)	M15 - ARUF374316AA
121	D6723311	BLOWER WHEEL (M15, M16)	M16 - ARUF374316BA
121	B1368016	BLOWER WHEEL 10 X 8 (M11, M12, M13, M14)	M17 - ARUF486016AA
121	0150M00000P	BLOWER WHEEL 9 X 6 (M1, M2, M3, M4)	M18 - ARUF486016AB
121	B1368042	BLOWER WHEEL 9 X 6 (M5, M6)	M19 - ARUF486016BA
121	0150G00000P	BLOWER WHEEL 9 X 8 (M7, M8, M9, M10)	M20 - ARUF496116AA
121	0150M00037	WHEEL, BLOWER 10 X 10 (M17, M18, M19, M20)	
131	CAP100000370LA	CAPACITOR 10/370V (M1, M2, M3, M4, M5, M6, M7, M8, M9, M10)	
131	CAP150000370LA	CAPACITOR 15/370V (M11, M12, M13, M14, M15, M16, M17, M18, M19, M20)	
161	0131M00005P	BLOWER MOTOR 1/3 HP, 3 SP, 6 PL (M1, M2, M3, M4)	
161	11091203	BLOWER MOTOR 1/3 HP, 3 SP, 6 PL (M7, M8, M9, M10)	
161	11091207	BLOWER MOTOR 1/4 HP, 3 SP, 8 PL (M5, M6)	
191	1284835	CAPACITOR STRAP	
NS	B821700	CAPACITOR BOOT (M11)	
NS	B1393309	MACHINE SCREW, 1/4-20 TPI X 3/4" LG (M1, M2, M3, M4, M5, M6, M7, M8, M9, M10)	
Image 2:			
42	0121M00038	MOTOR MOUNT BAND (M11, M12, M13, M14)	
42	0121M00039	MOTOR MOUNT BAND (HEAVY DUTY) (M15, M16, M17, M18, M19, M20)	
52	B1376853	MOTOR MOUNT ARM (M11, M12, M13, M14)	
52	B1376863	MOTOR MOUNT ARM (HEAVY DUTY) (M15, M16, M17, M18, M19, M20)	
162	11091204	BLOWER MOTOR 1/2 HP, 3 SP, 8 PL (M11, M12, M13, M14, M15, M16)	
162	0131M00000P	BLOWER MOTOR 3/4 HP, 3 SP, 6 PL (M17, M18, M19, M20)	
NS	B1393800	LOCKNUT, NYLON, INSERT 1/4, 20 (M11, M12, M13, M14, M15, M16, M17, M18, M19, M20)	
NS	B1393322	MACHINE SCREW HWH 1/4-20 X 1-1/2 BZ (M11, M17)	
NS	B1393323	MACHINE SCREW HWH 1/4-20 X 1-1/2 BZ (M11, M12, M13, M14, M15, M16, M17, M18, M19, M20)	
NS	B1393527	SCREW, 1/4 X 1-1/2, A, BZ, SLOT (M15, M16)	
NS	M0250565	TC SCREW 1.25" (M12, M13, M14, M18, M19, M20)	